

PIZZA PREP TABLE SUPREME



High Quality Refrigeration With You In Mind.

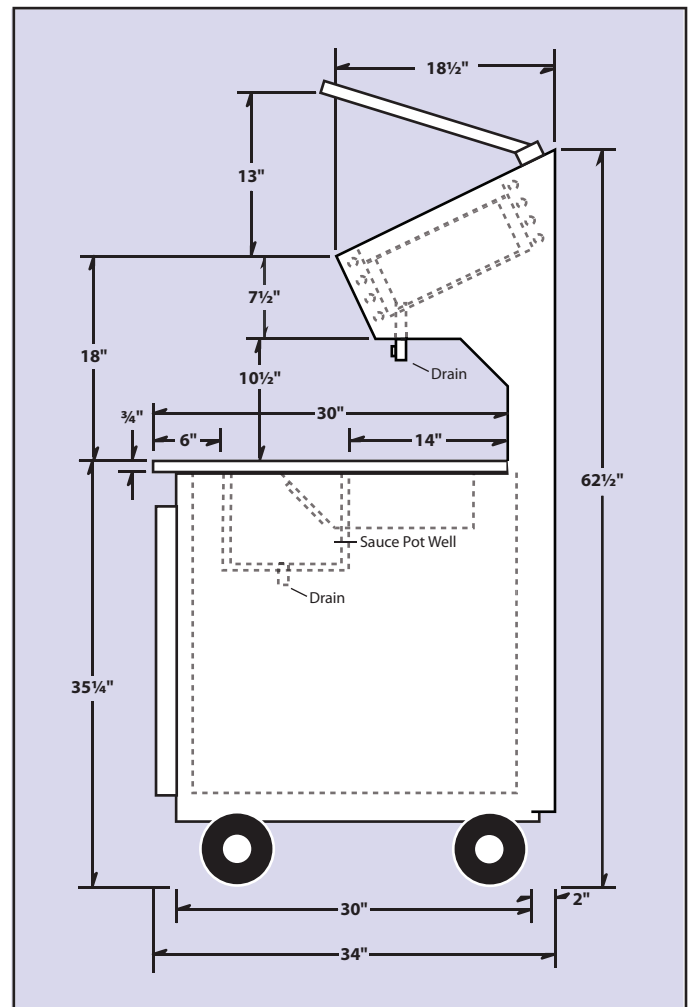
Available as self contained or remote, the Marsal Pizza Prep Table Supreme is designed with enduring quality that will improve the efficiency and production of your restaurant. Constructed with stainless steel interior, front and sides, the Supreme is upgraded with a 30" deep solid work surface for an optimal preparation area. Available in many sizes with one door (48" length), two door (62", 68", 72"), and three door models (84", 87", 90" 96"), the Supreme is a leading choice for refrigerated prep tables.

Dimensions/Specifications	BM 48S	BM 62S	BM 68S	BM 72S	BM 84S	BM 87S	BM 90S	BM 96S
Length	48"	62"	68"	72"	84"	87"	90"	96"
Depth	34½"	34½"	34½"	34½"	34½"	34½"	34½"	34½"
Height (Including Wheels)	62½"	62½"	62½"	62½"	62½"	62½"	62½"	62½"
Electrical (Volts)	115	115	115	115	115	115	115	115
Refrigerant Type	R134a	R134a	R134a	R134a	R134a	R134a	R134a	R134a
Horsepower / Amperage	⅓ HP / 7.2 amp	⅓ HP / 7.2 amp	½ HP / 8.8 amp	½ HP / 8.8 amp	¾ HP / 13 amp	¾ HP / 13 amp	¾ HP / 13 amp	¾ HP / 13 amp
Number of Doors	1	2	2	2	3	3	3	3

Key Features

- **Optimum Construction** - Stainless steel interior, front and sides for greater durability, construction and appearance. Heavy duty construction is built to last under constant operation.
- **Supreme 30" Deep Solid Work Surface**
- **Foam Insulation**
- **Fan Forced Air Refrigeration** - Lower Compartment
- **Self-Evaporating Condensate System**
- **10 ½" Sauce Pot Refrigerated Well** conveniently placed next to working area for efficient production.
- **Conveniently Designed Cold Wall Refrigerated Condiment Rail** will hold up to 6" deep Pans. Stainless steel hinged covers keep ingredients fresh.
- **6" Heavy Duty Locking Casters** for easy mobility and installation.
- **Self Closing Hinged Magnetic Doors**
- **Dual Temperature Control System**
- **All Units Met New NSF Standard 7**

Side View on All Models



Available Options

- Condiment Pans
- 10 ½" Sauce Pot
- Interior Shelves
- 6" Adjustable Legs
- Custom Sizes
- Extended 4 Year Warranty on Compressor

LIMITED WARRANTY

- 1 Year on Parts
- 1 Year on Service
- 1 Year On Compressor

